

Laying the foundation for a better backyard.

OUTDOOR KITCHEN CHECKLIST

Every great trip deserves a checklist. Whether on a flight or a road trip, how often have you reached for a beloved comfort only to realize it was forgotten? But this next trip is more than a week-long sojourn. This journey delivers you straight to the outdoor kitchen of your wildest fantasies. Don't lift a finger and don't forget a thing. Let us be your travel agents – helping you plan for memories everlasting, maximize the budget, and expand your horizons to new heights of entertainment. Here's the best part: when you're ready to head back, paradise is right outside.



Outdoor Design Expert: _____

Quote # / Order #: _____

SPACE ASSESSMENT

Placement

- Attached to the House
- Detached to the House

Frame Materials

- Metal
- Wood
- Brick
- Cinder Blocks

Frame Kit

Brand: _____

Item ID #: _____

Notes/Price: _____

Benefit: This is all about the structural integrity of your outdoor kitchen. We recommend a frame kit – it builds out the cabinet spacing for you!

Other - _____

Shelter

- Covered
- Not Covered

Primary Fuel Type

- Natural Gas
- Propane
- Charcoal
- Pellet
- Electric
- Other - _____

Water Supply

- Yes
- No

Island Shape

- Linear
- L-Shaped
- U-Shaped
- Galley
- Other - _____

Contractor Info

Name: _____

Website: _____

Contact Info: _____

OUTDOOR KITCHEN CHECKLIST



Fundamentals

Built-In Grill

Brand: _____
 Item ID #: _____
 Notes/Price: _____

Benefit: If your outdoor kitchen is the attraction, then here's your star performer. You're hopefully going to be seeing a lot of each other!

Access Doors

Brand: _____
 Item ID #: _____
 Notes/Price: _____

Benefit: Can you put a price on easy access to your gas plumbing and water lines? Yes. It's this much. Every cent spent here saves on frustration.

Side Burner

Brand: _____
 Item ID #: _____
 Notes/Price: _____

Benefit: Simmering sauces. Warming dishes. Wok cooking, if you go for power. An entirely separate heating zone is a welcome bonus to any grill.

Refrigerator

Brand: _____
 Item ID #: _____
 Notes/Price: _____

Purpose: Keep prepped food, side dishes, condiments and toppings, bar fruit, and even hors d'oeuvres right at hand for when you need them.

Trash Bin

Brand: _____
 Item ID #: _____
 Notes/Price: _____

Purpose: The last thing an outdoor kitchen wants is stray trash or an unsightly waste can. Keep it all out of sight behind a closed door!

Safety Considerations: ✨
Ventilation!
Ventilation doesn't only keep smoke and odor away from everyone's faces. It also vents discoloring, streaking fumes and grease off your surfaces — while funneling away burning heat from your outdoor kitchen. Very importantly, this keeps down chances of a fire hazard. Many local jurisdictions, in fact, outright require outdoor kitchen ventilation.

Vent Hood ✨

Brand: _____
 Item ID #: _____
 Notes/Price: _____

Benefit: Leave the smoke for a BBQ smoker. Funnel that thick, billowing eyesore (in more ways than one) out of your kitchen with a vent hood!

Insulated Grill Jacket ✨

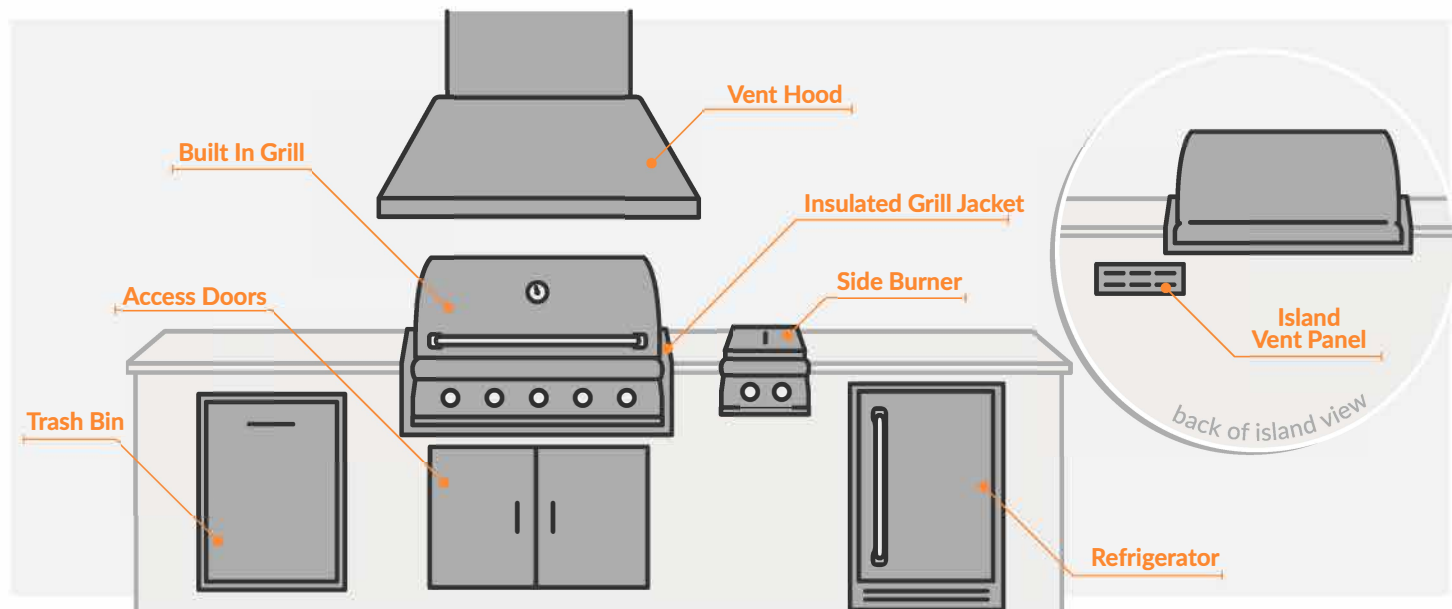
Brand: _____
 Item ID #: _____
 Notes/Price: _____

Benefit: If any part of your grill island is combustible, these metallic fireproof shields aren't a suggestion — they're a necessity.

Island Vent Panel ✨

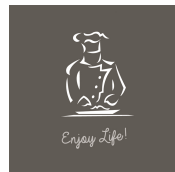
Brand: _____
 Item ID #: _____
 Notes/Price: _____

Benefit: Ventilation: it's the single most important component to your outdoor kitchen. Extra panels only make it easier to keep that base covered.



OUTDOOR KITCHEN CHECKLIST

Add On Options



Additional Outdoor Kitchen Storage

Door/Drawer Combo

Brand: _____

Item ID #: _____

Notes/Price: _____

Benefit: Forget heading back inside while the steaks are a-sizzlin'. Give your favorite BBQ tools and supplies a great home right here.



Access Drawers

Brand: _____

Item ID #: _____

Notes/Price: _____

Benefit: From grilling tools to flatware to hand towels, your BBQ equipment will always be in great hands – yours – the moment you need them.



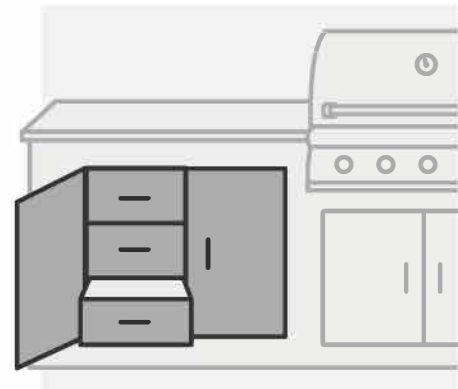
Enclosed Pantry

Brand: _____

Item ID #: _____

Notes/Price: _____

Benefit: Ants hate them! Learn this easy trick for keeping seasonings, spices, BBQ rubs, and dry toppings away from the elements.



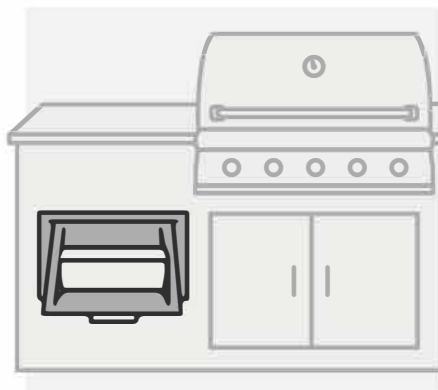
Paper Towel Holder

Brand: _____

Item ID #: _____

Notes/Price: _____

Benefit: Outdoor kitchen storage is built on maximizing space and disappearing your gear out of sight. Keep handy wipes nearby, but barely seen.



Propane Tank Bin

Brand: _____

Item ID #: _____

Notes/Price: _____

Benefit: Going all-in on propane? Then the pitch should really sell itself. Make switching out your tank seamless with easy bin access.



Notes:

OUTDOOR KITCHEN CHECKLIST

Add On Options

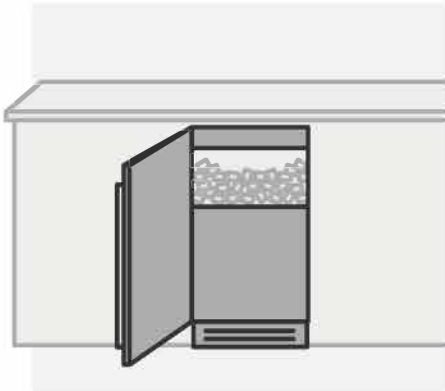


More Outdoor Refrigeration

Ice Maker

Brand: _____
Item ID #: _____
Notes/Price: _____

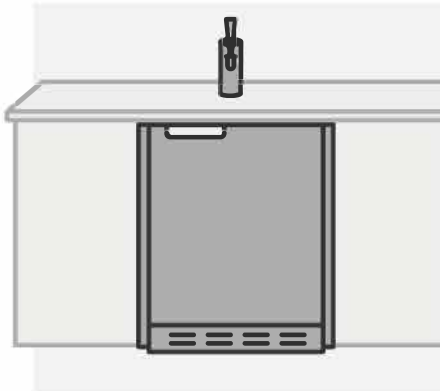
Benefit: If you've ever been outdoors with a drink and wanted ice, but didn't want to deal with the inside... then boy, do we have the product for you.



Kegeerator

Brand: _____
Item ID #: _____
Notes/Price: _____

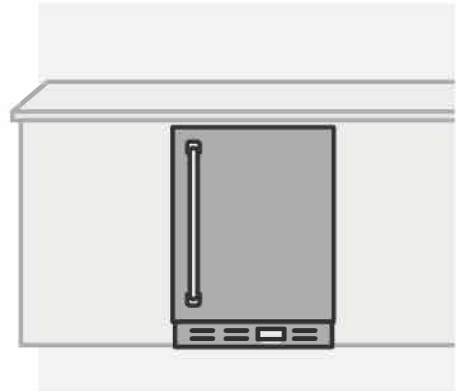
Benefit: Barbecues and ice-cool beer are a match made in heaven. Bring a kegeerator into your kitchen design to get the angelic touch on tap.



Outdoor Freezer

Brand: _____
Item ID #: _____
Notes/Price: _____

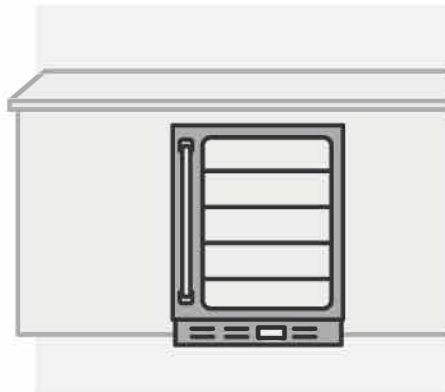
Benefit: Keep your cool – whether you're a hunter storing extra meats, a parent keeping icy treats for the kids, or a chilled cocktail connoisseur.



Wine Cooler

Brand: _____
Item ID #: _____
Notes/Price: _____

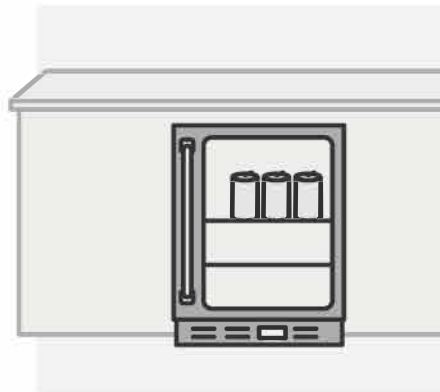
Benefit: Wine is a delicate thing. Outdoor kitchens... aren't. Wine coolers bathe those delicious vintages in perfect conditions, all within easy reach.



Beverage Cooler

Brand: _____
Item ID #: _____
Notes/Price: _____

Benefit: Storing crisp beers, carbonated cans, and delicious drinks for the kids was never this easy – nor with such balanced climate control.



Notes:

OUTDOOR KITCHEN CHECKLIST

Add On Options

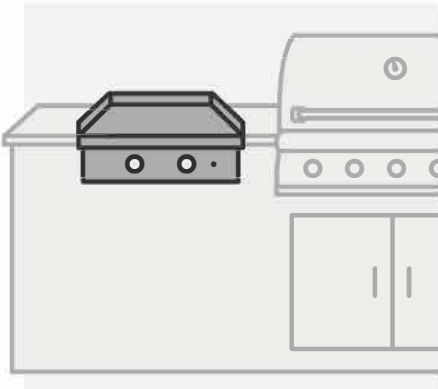


Expand Your Cooking Options

Griddle

Brand: _____
 Item ID #: _____
 Notes/Price: _____

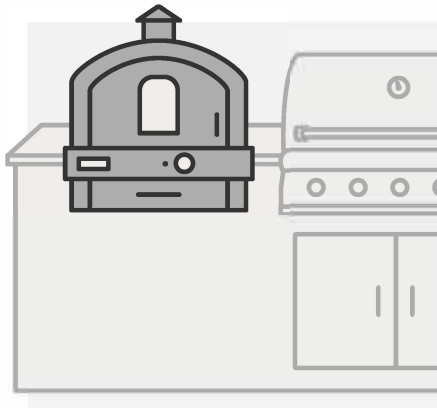
Benefit: Delicious bacon, juicy hamburgers, crispy veggies, and sizzling fajitas can be yours that much easier with an outdoor griddle station.



Pizza Oven

Brand: _____
 Item ID #: _____
 Notes/Price: _____

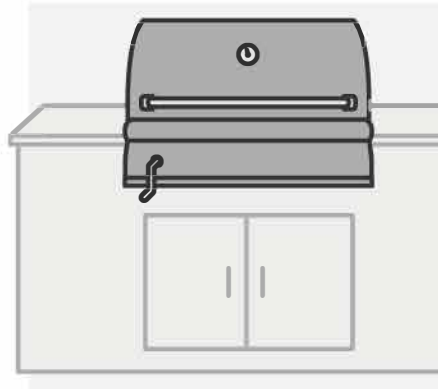
Benefit: Everybody loves pizza. Don't you? Bring that backyard a restaurant-quality slice of Italy – spoiler alert, we're partial to "meat lovers."



Charcoal Grill

Brand: _____
 Item ID #: _____
 Notes/Price: _____

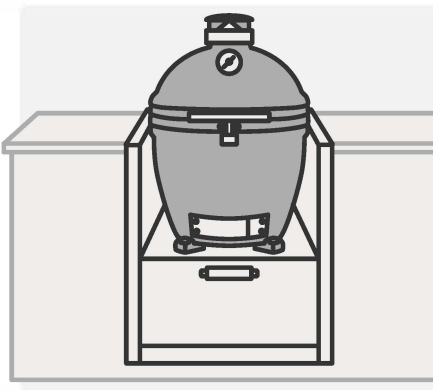
Benefit: There are few better tastes than fresh-cooked meat over lit charcoal. That kind of style deserves a dedicated place in your paradise.



Kamado Grill

Brand: _____
 Item ID #: _____
 Notes/Price: _____

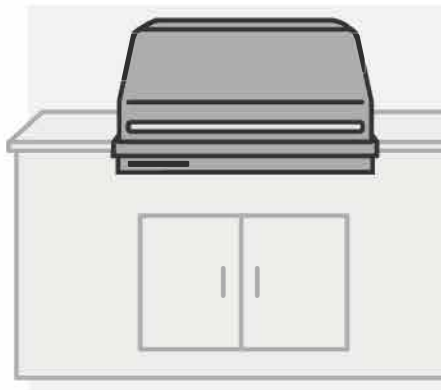
Benefit: This age-old Japanese cooking tradition is ready to meet your outdoor kitchen. We even figured out how to bring it into the 21st century.



BBQ Smoker

Brand: _____
 Item ID #: _____
 Notes/Price: _____

Benefit: Ever tasted what low and slow cooking does for brisket? Awesome! Want to find out for yourself what it can do for your kitchen?



Notes:

OUTDOOR KITCHEN CHECKLIST

Add On Options



Sinks, Faucets, & Ice Bins

Sink & Faucet

Brand: _____
Item ID #: _____
Notes/Price: _____

Benefit: How many times have you needed running water in your interior kitchen? Why let the indoors hog all that sheer convenience?

Beverage Center

Brand: _____
Item ID #: _____
Notes/Price: _____

Benefit: Pull your best Sam Malone impression with a dedicated bartending setup built into your outdoor entertaining space. Cheers!

Ice Bins & Coolers

Brand: _____
Item ID #: _____
Notes/Price: _____

Benefit: Think of every "pulling crisp, cool drinks straight out of ice" commercial you've ever seen, then pull that lifestyle into your backyard.

Ice Bin With Condiment Trays

Brand: _____
Item ID #: _____
Notes/Price: _____

Benefit: Sliced fruit, chilled sauces, and cold dips... what more could you want? What about all the beers you could drink, submerged in crisp ice?

Cooler & Ice Chest Storage

Brand: _____
Item ID #: _____
Notes/Price: _____

Benefit: Ice chests are great for portably storing overflow ice. These doors are your best bet for keeping those chests within reach but out of sight.

Grill Accessories

Sear Burner

Brand: _____
Item ID #: _____
Notes/Price: _____

Benefit: Kick into gear with a sizzling sear: this burner locks in moisture and flavor on everything from steaks and pork to vegetables.

Rotisserie Kit

Brand: _____
Item ID #: _____
Notes/Price: _____

Benefit: Paltry poultry? No more. Roast some kickin' chicken on the spinning spit for any occasion: fun to watch, but better to eat.

Smoker Box

Brand: _____
Item ID #: _____
Notes/Price: _____

Benefit: Great for those who need to compromise over a smoker in the kitchen – but just can't bear to part with that delicious, fiery flavor.

Grill Cover

Brand: _____
Item ID #: _____
Notes/Price: _____

Benefit: Keep your beloved gas grill covered from the harsh elements. What, need more? Keep that lean machine pristine with less to clean!

Griddle

Brand: _____
Item ID #: _____
Notes/Price: _____

Benefit: If the real deal just can't fit in the space (or the budget), squeeze in some sizzling sweetness with a removable griddle pan.

Other

Brand: _____
Item ID #: _____
Notes/Price: _____

